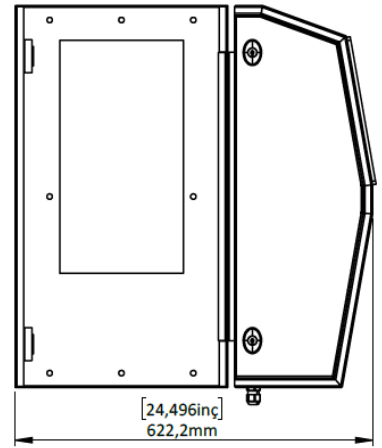
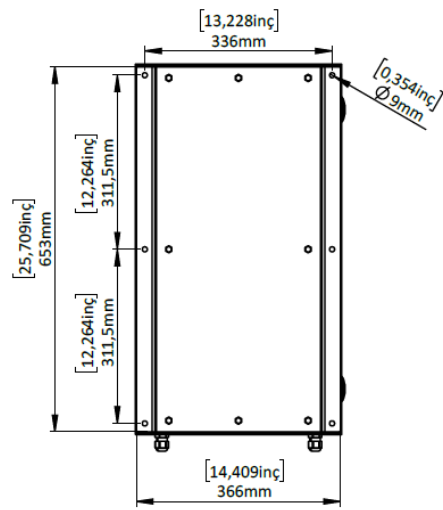
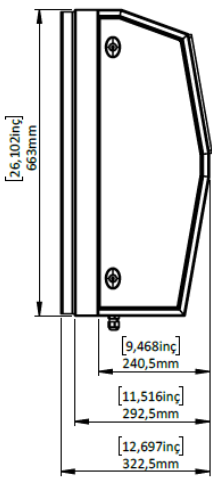


DESINFECTIE UNIT

TECHNICAL SPECIFICATIONS



DESINFECTION UNIT

TECHNICAL SPECIFICATIONS

GENERAL SPECIFICATIONS

Power	110/220V. 50/60 Hz. AC (% ± 10), 24 V DC. at stand-by ~10 W, during passage max. ~30 W
Dimensions	320 x 370 x 660 mm
Body Features	The body is made of 304-grade (opt. 316-grade) satin finished stainless steel.
Nominal / Max Current	250Ma / 850 Ma
Weight	~30 kg
Operating Temperature, Humidity, IP Rating	-20° C / + 50° C, 0 / + 45° C (RH 95% not-condensing), IP54 Indoor

SYSTEM SPECIFICATIONS

Control Systems	All inputs are opto-coupler protected. Controlled by dry contact or grounding input. Compatible with all access control systems that provide dry contact or grounding outputs
Output Data (Feedback)	The systems provides dry contact, NO - Normally Open, entry - exit passage feedback by relays
Time out Delay	Adjustable ; Operating Modes (7 - 14 - 21 second)
Indicators Features	Entrance - Green Arrow / Exit - Red Cross
Communication	RS 232 (Need PC Systems hardware serial port)

DESINFECTATION UNIT

TECHNICAL SPECIFICATIONS

